

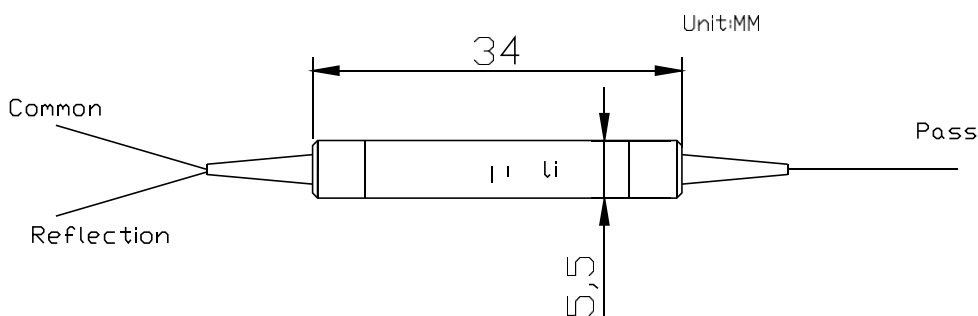
## 1310/1550nm Filter WDM & High Isolation Filter WDM

<b>Features</b>	
Low Insertion Loss	
High Isolation	
High Stability and reliability	
<b>Application</b>	
Communications System	
Metro/Access CATV	

### Specifications

Parameter	Type	1310/1550 FWDM	1310/1550 (HFWM)
Pass band (nm)		1310+/-40 or 1550+/-40	1550 ± 15
Reflection band (nm)		1310+/-40 or 1550+/-40	1310 ± 40
Pass channel insertion loss (dB)		≤0.8	≤1.0
Reflection channel insertion loss (dB)		≤0.6	≤1.0
Reflection Isolation (dB)		≥30	≥45
Pass Isolation (dB)		≥15	≥45
PDL(dB)		≤0.2	
Directivity (dB)		≥45	
Return loss (dB)		≥45	
Power handling (mW)		≤500	
Operating temperature (°C)		0 ~ +70	
Storage temperature (°C)		-40 ~ +85	
Dimensions (mm)		φ5.5×L34 (250um bare fiber) φ5.5×L40 (900um loose tube)	
Fiber type		SMF-28e	

### Package Dimensions





### Ordering Information

FWDM HFWDM	Port Type	Wavelength	Pigtail Type	Fiber Type	Length	Connector
	1x2	T1550/R1310 T1310/R1550	250=250um bare fiber 900=900um loose tube 3000=3mm loose tube	1=SMF-28e	1= 1m	NE=None FA=FC/APC FC=FC/UPC SA=SC/APC SC=SC/UPC LC=LC/UPC LA=LC/APC MU=MU/UPC XX=Other