

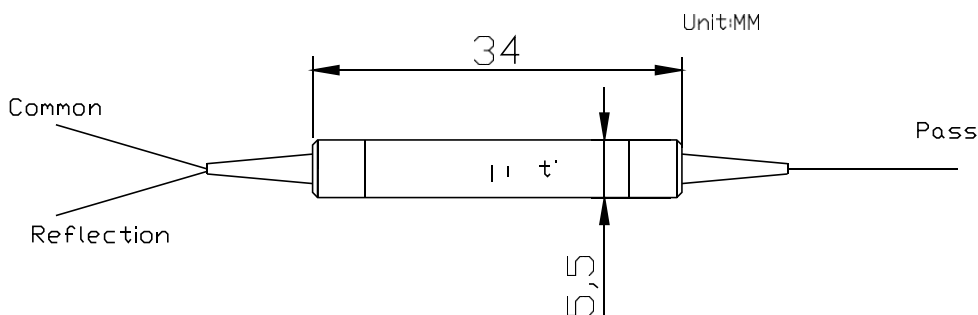
C/ L Band Filter Wavelength Division Multiplexer

Features	
Low Insertion Loss High Isolation High Stability and reliability	
Application	
Fiber Amplifier System Monitoring Fiberoptic Instrument Laboratory R & D	

Specifications

Parameter	Type	C/L FWDM
Pass wavelength (nm)		1570-1610 (or 1500-1564)
Reflection wavelength (nm)		1500-1564 (or 1570-1610)
Pass insertion loss (dB)		≤0.6
Reflection insertion loss (dB)		≤0.5
Pass channel isolation (dB)		≥30
Reflection isolation (dB)		≥12
Channel flatness (dB)		≤0.3
Directivity (dB)		≥55
Return loss (dB)		≥50
PDL (dB)		≤0.1
Wavelength thermal stability (nm/°C)		≤0.003
Insertion loss thermal stability (dB/°C)		≤0.005
Power handling (mW)		≤300
Operating temperature (°C)		0 ~ +65
Storage temperature (°C)		-40 ~ +85
Dimensions (mm)		φ5.5×L34

Package Dimensions





Ordering Information

FWDM	Port Type	Wavelength	Pigtail Type	Fiber Type	Length	Connector
	1x2	1500-1564T/1570-1610R 1570-1610T/1500-1564R	250=250um bare fiber 900=900um loose tube 3000=3mm loose tube	1=SMF-28e	1= 1m	NE=None FA=FC/APC FC=FC/UPC SA=SC/APC SC=SC/UPC LC=LC/UPC LA=LC/APC MU=MU/UPC XX=Other