

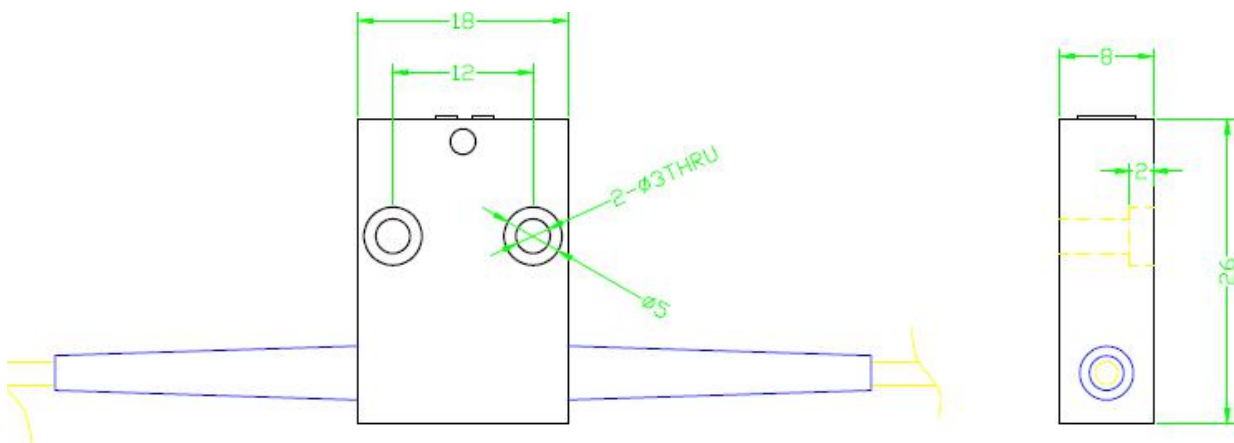
Manual Variable Optical Attenuator (MVOA)

| | |
|------------------------------------|--|
| Features | |
| High precision | |
| Wide attenuation range | |
| Low IL | |
| Compact size | |
| Application | |
| Optical communication systems test | |
| Optics lab use | |

Specifications:

| Parameter | Type | 1310nm | 1550nm | 1310/1550nm | 850, 1310nm |
|----------------------------|------|-------------|-----------|-----------------------|---------------------------------------|
| Wavelength (nm) | | 1310 ± 40 | 1550 ± 40 | 1310 ± 40 & 1550 ± 40 | 850 ± 40 or 1310 ± 40 |
| Attenuation range (dB) | | 0.6 ~ 60 | 0.6 ~ 60 | 0.8 ~ 60 | 0.8 ~ 40 |
| IL (dB) | | ≤0.6 | ≤0.6 | ≤0.8 | ≤0.8 |
| Return loss (dB) | | ≥50 | | | ≥30 |
| Fiber Type | | SMF-28e | | | Multimode fiber 50/125 or 62.5/125 |
| Adjustment Precision (dB) | | 0.02 | | | |
| PDL (dB) | | ≤0.15 | | | |
| Operating temperature (°C) | | 0 ~ +70 | | | |
| Storage temperature (°C) | | -40 ~ +85 | | | |
| Dimension (mm) | | 26 x 16 x 8 | | | |

Package Dimensions





Ordering Information

| MVOA | Wavelength | Adjustment Type | Pigtail Type | Fiber Type | Length | Connector |
|------|--|---|--|--------------------------------------|--------|--|
| | 85=850 13=1310 15=1550 1315=1310/1550 | 1= Hand adjustment 2= Screw adjustment | 900=900um loose tube 2000=2mm loose tube 3000=3mm loose tube | 1=SMF-28e 2=50/125 3=62.5/12.5 | 1= 1m | NE=None FA=FC/APC FC=FC/UPC SA=SC/APC SC=SC/UPC LC=LC/UPC LA=LC/APC MU=MU/UPC XX=Other |