

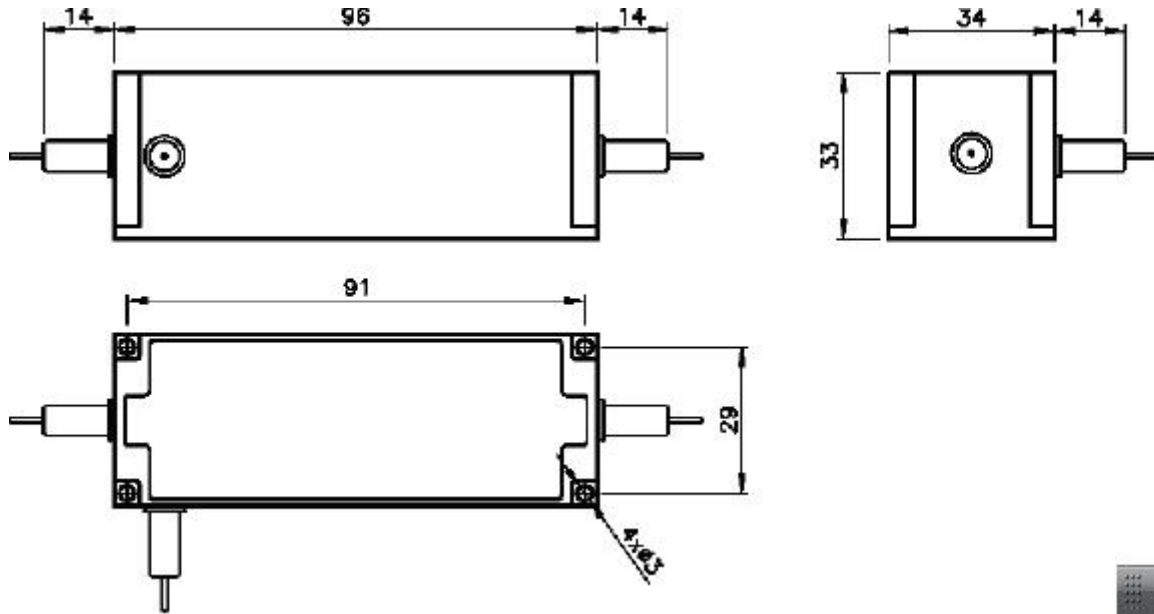
Polarization Independent Optical Circulator (850,980nm)

Features	
High isolation & High Return Loss Low insertion loss & PDL Optical Path Epoxy Free	
Application	
Fiberoptic Amplifier	
CATV Fiberoptics Link	
Fiberoptic Systems Testing	
Fiberoptic LAN Systems Telecommunications	

Specifications

Parameter	Type	3 Port
Operating wavelength (nm)		850,980
Bandwidth(nm)		± 10
Isolation(dB)		≥20(Typ.25dB)
Insertion Loss (dB)		≤1.8, (Typ 1.3)
PDL (dB)		≤0.2
Return loss (dB)		≥50
WDL(dB)		≤0.2
Cross Talk (dB)		≥45(Typ 50)
Power handling (mW)		≤300
Fiber Type		HI780 or HI980 or specify
Fiber Length (m)		0.8
Operating temperature (°C)		0 ~ +70
Storage temperature (°C)		-40 ~ +85
Dimensions (mm)		96x34x33

Package Dimensions



Ordering Information

CIR	Type	Wavelength	Pigtail Type	Fiber Type	Length	Connector
	3=3 Port	850	900=900um	HI1060	1= 1m	NC=None
	4=4 Port	980	loose tube	HI980		FC=FC/UPC
			3000=3mm	HI850		SC=SC/UPC
			loose tube			FA=FC/APC
						SA=SC/APC
						ST=ST/UPC
						LC=LC/UPC
						xx=Others