

## 1064nm 1x2 Optical Switch

<b>Features</b>	
Low Insertion Loss High crosstalk Compact package	
<b>Application</b>	
Optical Signal Routing Optical Network Protection /Restoration	

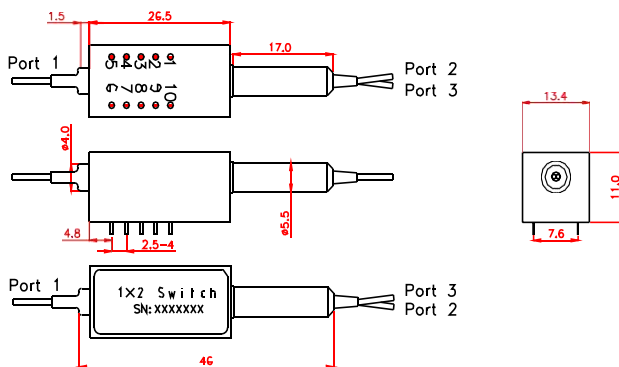
### Specifications

Parameter	Value
Port Type	1x1, 1x2
Wavelength (nm)	1064
Insertion Loss (dB)	≤0.7(Typ 0.5)
Cross Talk (dB)	≥50
Return Loss (dB)	≥50
Repeatability (dB)	±0.05
Switch Time (ms)	10
Lifetime (cycle)	>1,000,000
Switch mode	Latching or Non-latching
Operating Temperature (°C)	-15 ~ +70
Storage Temperature (°C)	-40 ~ +85
Drive Voltage (V)	5 ±0.5 DC or 5V Pulse
Work Current (mA)	<50
Fiber Type	HI1060
Dimension (LxMxH) (mm)	26.5×13.4×11

### Electrical Drive

Optical Path	Electrical Drive		Status Sensor					
	Pin1	Pin10	Pin5	Pin6	Pin2-3	Pin3-4	Pin7-8	Pin8-9
1-2	+V Pulse	GND	N/A	N/A	open	close	close	open
1-3	GND	+V Pulse	N/A	N/A	close	open	open	close

### Package Dimension



### Ordering Information

OSW	Type	Wavelength	Mode	Pigtail Type	Fiber Type	Length	Connector
	1x1 1x2	1064=1064nm	L=Latching N=Non-Latching	250=250um bare fiber 900=900um loose tube	4=HI1060	1= 1m	NE=None FA=FC/APC FC=FC/UPC SA=SC/APC SC=SC/UPC XX=Other