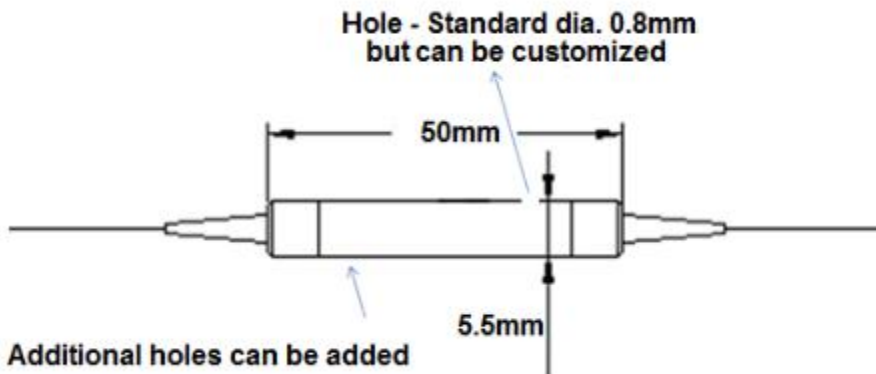


Optical Gas Cell (IFGC) In Line 1550 nm

Specifications

Parameters	Unit	Parameter
Operating Wavelength rangel	nm	1550 ± 40
Max. Insertion Loss	dB	0.6
Max. Polarization Dependent Loss, 23°C	dB	0.05
Min. Optical Return Loss	dB	55
Max. Optical Power(CW)	mW	500
Max. Tensile Load	N	5
Fiber Type		G657A1
Gas cell hole Diameter	mm	0.8+/-0.1
Gas cell length	mm	15~18
Operating Temperature	°C	-5 to +70
Storage Temperature	°C	-40 to +85
Package dimensions	mm	Φ5.5x43(P5)

Package Dimensions



Ordering Information

IFGC	Wavelength	000	package	Fiber Pigtail	Length	Connector	Customer
	1550=1550nm	000	1=P5(5.5*43mm)	1=250um bare fiber	H=0.5m	0=None	=xxxx
				2=900um loose tube	8=0.8m	1=FC/UPC	
					1=1.0m	2=FC/APC	
					5=1.5m	3=SC/APC	
					F=5m	4=SC/UPC	
						6=LC/PC	