

## PM Fiber Variable Optical Attenuator (PMVOA)

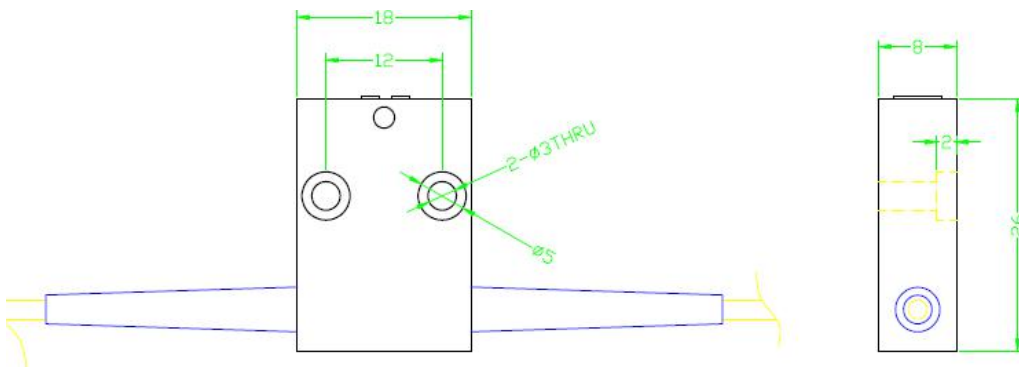
<b>Features</b>	
High precision & Wide attenuation range Low Insertion Loss & High PER High stability and reliability	
<b>Application</b>	
Optical communication systems test Fiber component test Fiber Sensor	

### Specifications

Parameter	Value			
Wavelength (nm)	1310, 1550,1310/1550	1064	980	850
Bandwidth (nm)	±40	±20	±10	±10
Attenuation Range (dB)	0.6~40	0.8~40	0.8~40	1.0~40
Original Loss	≤0.6	≤0.8	≤0.8	≤1.0
Extinction ratio (dB)	≥20			
Return Loss (dB)	≥50			
Fiber Type	Panda Fiber			
Adjustment Precision (dB)	0.02			
Operating Temperature	-5~ +70			
Storage Temperature	-40 ~ + 85			
Dimension (LxMxH) (mm)	26x18X8			

For device with connector, IL is 0.3dB higher, RL is 5dB lower, ER is 2dB lower

### Package Dimensions



### Ordering Information

PMVOA	Wavelength	Adjustment Type	Pigtail Type	Fiber Type	Length	Connector
	13=1310 15=1550 1315=1310/1550	1= Hand adjustment	900=900um loose tube 2000=2mm loose tube 3000=3mm loose tube	5=Panda fiber	0.8= 0.8m	NE=None FA=FC/APC FC=FC/UPC SA=SC/APC SC=SC/UPC XX=Other