

## 1064nm1X2 PM Optical Switch

<b>Features</b>	
High Extinction Ratio Low Insertion Loss Latching or Non-Latching Type	
<b>Application</b>	
Optical Cross and connection system Fibre sensor	

### Specifications

Parameter	1X2
Wavelength (nm)	1064
Bandwidth(nm)	±20
Insertion Loss (dB)	≤1.2 (Typ 0.8)
Extinction Ratio(dB)	≥20
Cross Talk(dB)	≥55
Return Loss (dB)	≥55
Repeatability(dB)	≤±0.05
Switch Time(ms)	≤10
Durability(cycle)	≥10 <sup>7</sup>
Switch mode	Latching or Non-latching
Operating Temperature(°C)	-5 ~ +75
Storage Temperature(°C)	-40 ~ +85
Drive Voltage(V)	5 ±0.5
Optical Power	<500
Fiber Type	Panda fiber
Dimension (LxMxH) (mm)	(L)26.5×(W)13.4×(H)11 (P2)

\*IL is 0.3dB (1310~1550nm), RL is 5dB lower and ER is 2dB lower for each connector added. The default connector key is aligned to slow axis

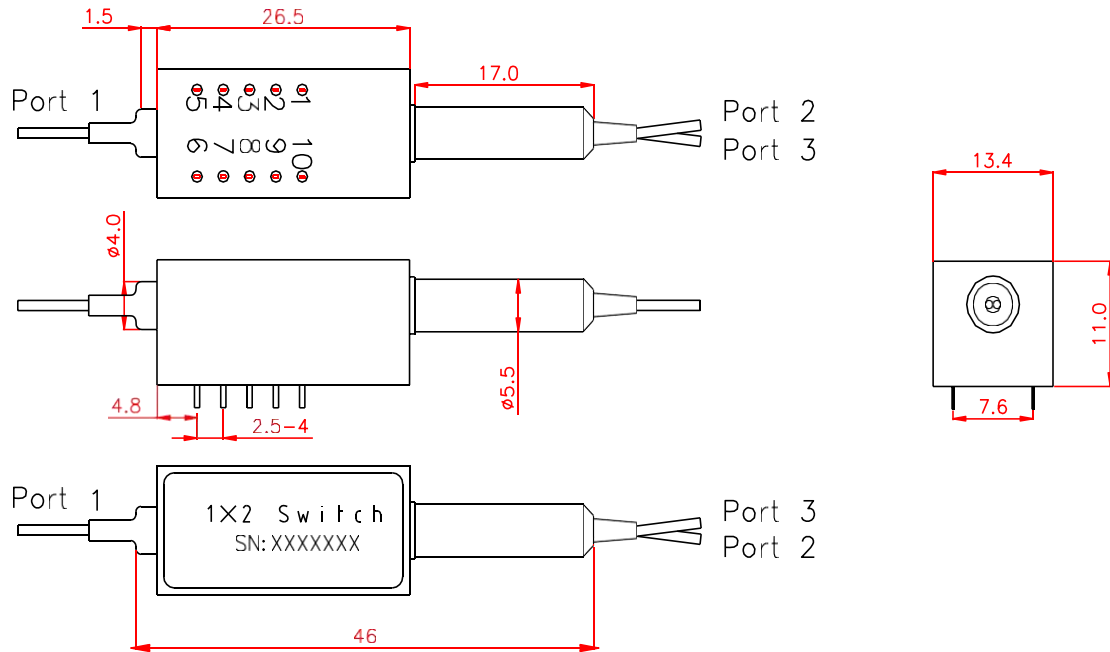
### Electrical Drive(Latching Type)

Optical Path	Electrical Drive		Status Sensor					
	Pin1	Pin10	Pin5	Pin6	Pin2-3	Pin3-4	Pin7-8	Pin8-9
1-2	+V Pulse	GND	N/A	N/A	open	close	close	open
1-3	GND	+V Pulse	N/A	N/A	close	open	open	close

### Electrical Drive(Non-Latching Type)

Optical Path	Electrical Drive		Status Sensor					
	Pin1	Pin10	Pin5	Pin6	Pin2-3	Pin3-4	Pin7-8	Pin8-9
1-2	N/A	N/A	N/A	N/A	open	close	close	open
1-3	GND	+V Pulse	N/A	N/A	close	open	open	close

### Package Dimension



### Ordering Information

PMOSW	Type	Wavelength	Mode	Pigtail Type	Fiber Type	Length	Connector
	1x2	1310=1310nm 1550=1550nm	L=Latching N=Non-Latching	250=250um bare fiber 900=900um loose tube	5=Panda Fiber	0.8=0.8 m	NE=None FC=FC/UPC SC=SC/UPC FA=FC/APC SA=SC/APC ST=ST/UPC LC=LC/UPC xx=Others